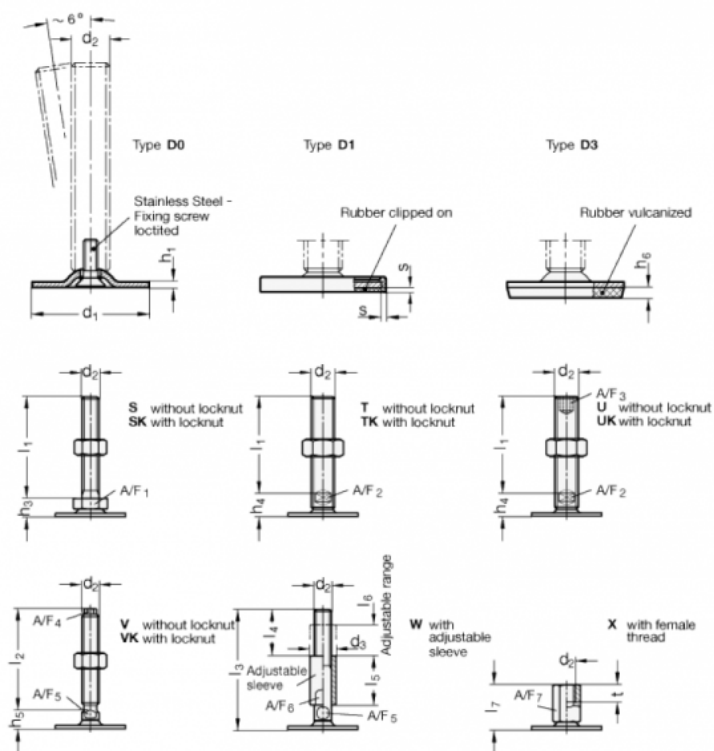


Article number: 204150M12125D0S

Description: E+G levelling foot
GN 41-50-M12-125-D0-S

Note: S Without nut, External hexagon at the bottom

Measures



A/F1	= 17
d1	= 50
d2	= M12
h1	= 2.5
h3	= 11
h6	=
l1	= 125
s	=